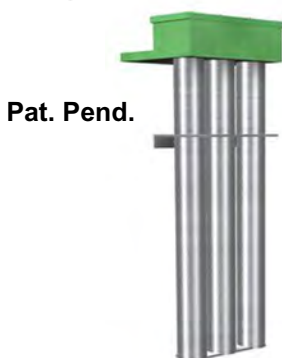


Energy Efficient

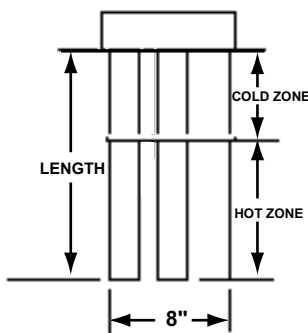
Metal Single Bayonet

Metal Single Bayonet	Mild Steel Model	304 Stainless Model	316L Stainless Model	Titanium Model	Watts	Volts	DIMENSIONS (inch/mm)			Weight Lb/Kg
							Length	Cold Zone	Hot Zone	
• 1/3 Current Energy Efficiency	PW1107 ⁽¹⁾	PWS1107 ⁽¹⁾	PS1107 ⁽¹⁾	PTY1107 ⁽¹⁾	1000	120	11/280	4/102	7/1789	5/2
	PW1207 ⁽¹⁾	PWS1207 ⁽¹⁾	PS1207 ⁽¹⁾	PTY1207 ⁽¹⁾		240				
• No burn out due to low liquid level	PW2109	PWS2109	PS2109	PTY2109	2000	120	17/432	7/178	10/254	9/4
	PW2209	PWS2209	PS2209	PTY2209		240				
• 36" Corrosion resistant thermoplastic flexible conduit	PW2409	PWS2409	PS2409	PTY2409		480				
	PW3214	PWS3214	PS3214	PTY3214	3000	240	22/559	8/203	14/356	11/5
• Watt density 35 watts/sq. inch	PW3414	PWS3414	PS3414	PTY3414		480				
	PW4218	PWS4218	PS4218	PTY4218	4000	240	29/737	10/254	19/483	13/6
• Plastisol coated heater head available	PW4418	PWS4418	PS4418	PTY4418		480				
	PW5225	PWS5225	PS5225	PTY5225	5000	240	35/889	10/254	25/635	16/7
• No need for derated heaters. Will work in heavy viscosity	PW5425	PWS5425	PS5425	PTY5425		480				
	PW6228	PWS6228	PS6228	PTY6228	6000	240	38/966	10/254	28/711	17/8
1 Heaters are 1 1/4" diameter tube	PW6428	PWS6428	PS6428	PTY6428		480				
	PW8237	PWS8237	PS8237	PTY8237	8000	240	47/1194	10/254	37/940	21/10
	PW8437	PWS8437	PS8437	PTY8437		480				
	PW9242	PWS9242	PS9242	PTY9242	9000	240	52/1321	10/254	42/1067	23/10
	PW9442	PWS9442	PS9442	PTY9442		480				
	PW10249	PWS10249	PS10249	PTY10249	10000	240	59/1499	10/254	49/1245	25/11
	PW10449	PWS10449	PS10449	PTY10449		480				
	PW12256	PWS12256	PS12256	PTY12256	12000	240	65/1651	10/254	55/1397	28/13
	PW12456	PWS12456	PS12456	PTY12456		480				



Pat. Pend.

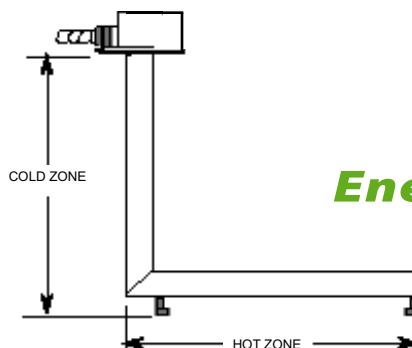
Single Compression fitting connection benefits: less wiring and less avenues for condensate to enter heater



Energy Efficient

Metal Triple Bayonet

Metal Triple Bayonet	Mild Steel Model	304 Stainless Model	316L Stainless Model	Titanium Model	Watts	Volts	DIMENSIONS (inch/mm)			Weight Lb/Kg
							Length	Cold Zone	Hot Zone	
• Heavy duty construction, durable 2" diameter tube for added strength	PWC3207 ⁽¹⁾	PWSC3207 ⁽¹⁾	PSC3207 ⁽¹⁾	PTYC3207 ⁽¹⁾	3000	240	11/280	4/102	7/178	15/7
	PWC3407 ⁽¹⁾	PWSC3407 ⁽¹⁾	PSC3407 ⁽¹⁾	PTYC3407 ⁽¹⁾	480					
• 36" Corrosion resistant thermoplastic flexible conduit	PWC6209	PWSC6209	PSC6209	PTYC6209	6000	240	17/432	7/178	10/254	32/15
	PWC6409	PWSC6409	PSC6409	PTYC6409	480					
• Watt density 35 watts/sq. inch	PWC9214	PWSC9214	PSC9214	PTYC9214	9000	240	22/559	8/205	14/356	36/16
	PWC9414	PWSC9414	PSC9414	PTYC9414	480					
• No need for derated heaters. Will work in heavy viscosity	PWC12218	PWSC12218	PSC12218	PTYC12218	12000	240	29/737	10/254	19/483	40/18
	PWC12418	PWSC12418	PSC12418	PTYC12418	480					
¹ Heaters are 1 1/4" diameter tube	PWC15225	PWSC15225	PSC15225	PTYC15225	15000	240	35/889	10/254	25/635	46/21
	PWC15425	PWSC15425	PSC15425	PTYC15425	480					
	PWC18228	PWSC18228	PSC18228	PTYC18228	18000	240	38/966	10/254	28/711	51/23
	PWC18428	PWSC18428	PSC18428	PTYC18428	480					
	PWC24237	PWSC24237	PSC24237	PTYC24237	24000	240	47/1194	10/254	37/940	63/29
	PWC24437	PWSC24437	PSC24437	PTYC24437	480					
	PWC27242	PWSC27242	SPC27242	PTYC27242	27000	240	52/1321	10/254	42/1067	67/30
	PWC27442	PWSC27442	PSC27442	PTYC27442	480					
	PWC30249	PWSC30246	PSC30249	PTYC30249	30000	240	59/1499	10/254	49/1245	75/34
	PWC30449	PWSC30446	PSC30449	PTYC30449	480					
	PWC36256	PWSC36256	PSC36256	PTYC36256	36000	240	65/1651	10/254	55/1397	88/40
	PWC36456	PWSC12456	PSC36456	PTYC36456	480					

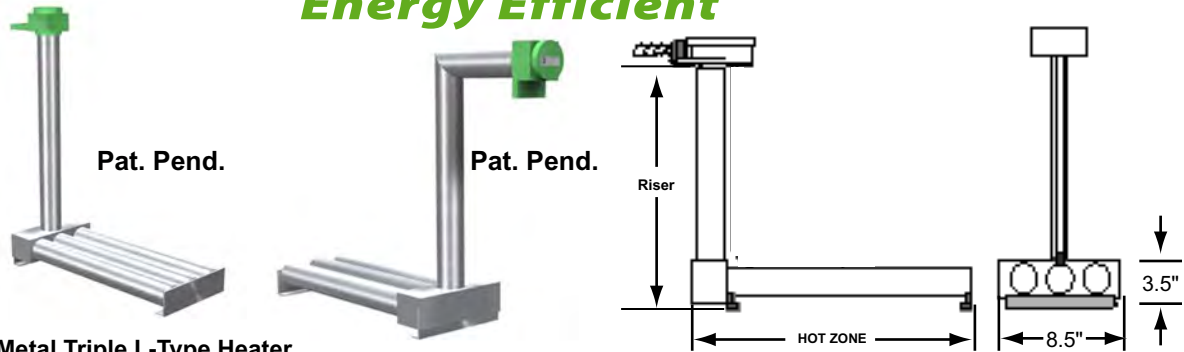


Energy Efficient

Metal Single L-Type Heater

Metal Single L-Type	Mild Steel Model	304 Stainless Model	316L Stainless Model	Titanium Model	DIMENSIONS (inch/mm)				Weight Lb/Kg
					Watts	Volts	Riser Height	Hot Zone	
• Ideally suited for fluctuating solution levels or shallow tanks	PWL1107 ⁽¹⁾	PWSL1107 ⁽¹⁾	PSL1107 ⁽¹⁾	PTYL1107 ⁽¹⁾	1000	120	15/381	13/331	10/5
	PWL1207 ⁽¹⁾	PWSL1207 ⁽¹⁾	PSL1207 ⁽¹⁾	PTYL1207 ⁽¹⁾		240			
• Heavy duty construction, durable 2" diameter tube for added strength	PWL2115	PWSL2115	PSL2115	PTYL2115	2000	120	19/483	17/432	11/5
	PWL2215	PWSL2215	PSL2215	PTYL2215		240			
	PWL2415	PWSL2415	PSL2415	PTYL2415		480			
• 36" Corrosion resistant thermoplastic flexible conduit	PWL3220	PWSL3220	PSL3220	PTYL3220	3000	240	25/635	21/535	13/6
	PWL3420	PWSL3420	PSL3420	PTYL3420		480			
• Watt density 35 watts/sq. inch	PWL4224	PWSL4224	PSL4224	PTYL4224	4000	240	25/635	25/635	14/6
	PWL4424	PWSL4424	PSL4424	PTYL4424		480			
• Standard (2" OD) gooseneck risers available	PWL5231	PWSL5231	PSL5231	PTYL5231	5000	240	25/635	32/813	17/8
	PWL5431	PWSL5431	PSL5431	PTYL5431		480			
• 4" to 8" Sludge Feet available	PWL6234	PWSL6234	PSL6234	PTYL6234	6000	240	50/1270	35/889	20/9
	PWL6424	PWSL6434	SPL6434	PTYL6434		480			
• No need for derated heaters. Will work in heavy viscosity	PWL8244	PWSL8244	PSL8244	PTYL8244	8000	240	50/1270	44/1118	22/10
	PWL8444	PWSL8444	SPL8444	PTYL8444		480			
	PWL9245	PWSL9245	PSL9245	PTYL9245	9000	240	50/1270	48/1220	25/11
¹ Heaters are 1 1/4" diameter tube	PWL9445	PWSL9445	PSL9445	PTYL9445		480			
	PWL10255	PWSL10255	PSL10255	PTYL10255	10000	240	50/1270	56/1423	28/13
	PWL10455	PWSL10455	PSL10455	PTYL10455		480			
	PWL12260	PWSL12260	PSL12260	PTYL12260	12000	240	50/1270	62/1575	32/15
	PWL12460	PWSL12460	PSL12460	PTYL12460		480			

Energy Efficient



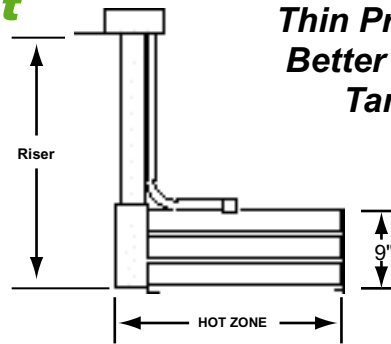
Metal Triple L-Type Heater

Metal Triple L-Type	Mild Steel Model	304 Stainless Model	316L Stainless Model	Titanium Model	DIMENSIONS (inch/mm)				
					Watts	Volts	Riser Height	Hot Zone	Weight Lb/Kg
• Ideally suited for fluctuating solution levels or shallow tanks	PWLC3207 ⁽¹⁾	PWSLC3207 ⁽¹⁾	PSLC3207 ⁽¹⁾	PTYLC3207 ⁽¹⁾	3000	240	15/381	14/356	23/10
	PWLC3407 ⁽¹⁾	PWSLC3407 ⁽¹⁾	PSLC3407 ⁽¹⁾	PTYLC3407 ⁽¹⁾	480				
• Heavy duty construction, durable 2" diameter tube for added strength	PWLC6215	PWSLC6215	PSLC6215	PTYLC6215	6000	240	19/483	19/483	27/12
	PWLC6415	PWSLC6415	PSLC6415	PTYLC6415	480				
	PWLC9220	PWSLC9220	PSLC9220	PTYLC9220	9000	240	25/635	24/610	32/15
• 36" Corrosion resistant thermoplastic flexible conduit	PWLC9420	PWSLC9420	PSLC9420	PTYLC9420	480				
	PWLC12224	PWSLC12224	PSLC12224	PTYLC12224	12000	240	25/635	27/686	42/19
• Watt density 35 watts/sq. inch	PWLC12424	PWSLC12424	PSLC12424	PTYLC12424	480				
	PWLC15231	PWSLC15231	PSLC15231	PTYLC15231	15000	240	25/635	34/864	49/22
• Standard (2" OD) gooseneck risers available	PWLC15431	PWSLC15431	PSLC15431	PTYLC15431	480				
	PWLC18234	PWSLC18234	PSLC18234	PTYLC18234	18000	240	50/1270	37/940	56/25
	PWLC18434	PWSLC18434	PSLC18434	PTYLC18434	480				
• 4" to 8" Sludge Feet available	PWLC24244	PWSLC24244	PSLC24244	PTYLC24244	24000	240	50/1270	46/1169	58/26
	PWLC24444	PWSLC24444	PSLC24444	PTYLC24444	480				
	PWLC27245	PWSLC27245	PSLC27245	PTYLC27245	27000	240	50/1270	50/1270	77/35
• No need for derated heaters. Will work in heavy viscosity	PWLC27445	PWSLC27445	PSLC27445	PTYLC27445	480				
	PWLC30255	PWSLC30255	PSLC30255	PTYLC30255	30000	240	50/1270	58/1474	83/38
¹ Heaters are 1 1/4" diameter tube	PWLC30455	PWSLC30455	PSLC30455	PTYLC30455	480				
	PWLC36260	PWSLC36260	PSLC36260	PTYLC36260	36000	240	50/1270	62/1575	98/44
	PWLC36460	PWSLC36460	PSLC36460	PTYLC36460	480				



Energy Efficient

Pat. Pend.



Thin Profile Enables Better Utilization of Tank Space

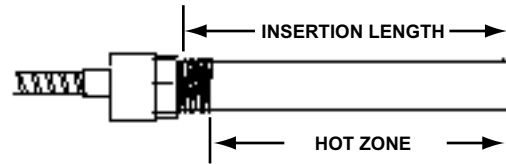
Metal Triple L-Type Vertical Stack

Metal Triple L-Type Vertical Stack	Mild Steel Model	304 Stainless Model	316L Stainless Model	Titanium Model	DIMENSIONS (inch/mm)				Weight Lb/Kg
					Watts	Volts	Riser Height	Hot Zone	
• Ideally suited for fluctuating solution levels or shallow tanks	PWLCV3214 ⁽¹⁾	PWSLCV3214 ⁽¹⁾	PSLCV3214 ⁽¹⁾	PTYLCV3214 ⁽¹⁾	3000	240	15/381	14/356	23/10
	PWLCV3414 ⁽¹⁾	PWSLCV3414 ⁽¹⁾	PSLCV3414 ⁽¹⁾	PTYLCV3414 ⁽¹⁾		480			
• Heavy duty construction, durable 2" diameter tube for added strength	PWLCV6219	PWSLCV6219	PSLCV6219	PTYLCV6219	6000	240	19/483	19/483	27/12
	PWLCV6419	PWSLCV6419	PSLCV6419	PTYLCV6419		480			
• 36" Corrosion resistant thermoplastic flexible conduit	PWLCV9224	PWSLCV9224	PSLCV9224	PTYLCV9224	9000	240	25/635	24/610	32/15
	PWLCV9424	PWSLCV9424	PSLCV9424	PTYLCV9424		480			
• Watt density 35 watts/sq. inch	PWLCV12227	PWSLCV12227	PSLCV12227	PTYLCV12227	12000	240	25/635	27/610	42/19
	PWLCV12427	PWSLCV12427	PSLCV12427	PTYLCV12427		480			
• Standard (2" OD) gooseneck risers available	PWLCV15234	PWSLCV15234	PSLCV15234	PTYLCV15234	15000	240	25/635	34/864	49/22
	PWLCV15434	PWSLCV15434	PSLCV15434	PTYLCV15434		480			
• 4" to 8" Sludge Feet available	PWLCV18237	PWSLCV18237	PSLCV18237	PTYLCV18237	18000	240	50/1270	37/940	56/25
	PWLCV18437	PWSLCV18437	PSLCV18437	PTYLCV18437		480			
• Plastisol coated heater head available	PWLCV24246	PWSLCV24246	PSLCV24246	PTYLCV24246	24000	240	50/1270	46/1169	58/26
	PWLCV24446	PWSLCV24446	PSLCV24446	PTYLCV24446		480			
• No need for derated heaters. Will work in heavy viscosity	PWLCV27250	PWSLCV27250	PSLCV27250	PTYLCV27250	27000	240	50/1270	50/1270	77/35
	PWLCV27450	PWSLCV27450	PSLCV27450	PTYLCV27450		480			
• Heaters are 1 1/4" diameter tube	PWLCV30258	PWSLCV30258	PSLCV30258	PTYLCV30258	30000	240	50/1270	58/1474	83/38
	PWLCV30458	PWSLCV30458	PSLCV30458	PTYLCV30458		480			
	PWLCV36464	PWSLCV36464	PSLCV36464	PTYLCV36464	36000	480	50/1270	62/1575	98/44



Pat. Pend.

Energy Efficient



Metal Inline Heater

Metal Inline Threaded Head	304 Stainless Model	316L Stainless Model	Titanium Model	DIMENSIONS (inch/mm)					
				Watts	Volts	Overall Length	Insertion Length	Hot Zone	Weight Lb/Kg
• Heavy duty all metal construction	PWST1107 ⁽¹⁾	PST1107 ⁽¹⁾	PTY1107 ⁽¹⁾	1000	120	13/331	10/254	7/178	4/2
	PWST1207 ⁽¹⁾	PST1207 ⁽¹⁾	PTY1207 ⁽¹⁾	240					
• Mounts through tank wall with 2" NPT bushing (2-12KW); 1-1/4" NPT bushing (1KW)	PWST2109	PST2109	PTY2109	2000	120	16/407	13/331	10/254	8/2
	PWST2209	PST2209	PTY2209	240					
	PWST2409	PST2409	PTY2409	480					
	PWST3214	PST3214	PTY3214	3000	240	21/534	18/458	14/356	10/5
• 36" Corrosion resistant thermoplastic flexible conduit	PWST3414	PST3414	PTY3414	480					
	PWST4218	PST4218	PTY4218	4000	240	25/635	22/559	19/483	14/6
• Watt density 35 watts/sq. inch	PWST4418	PST4418	PTY4418	480					
	PWST5227	PST5227	PTY5227	5000	240	32/813	29/737	25/635	15/7
• No need for derated heaters. Will work in heavy viscosity	PWST5427	PST5427	PTY5427	480					
	PWST6228	PST6228	PTY6228	6000	240	35/889	32/813	28/712	16/7
1 Heaters are 1 1/4" diameter tube	PWST6428	PST6428	PTY6428	480					
	PWST8240	PST8240	PTY8240	8000	240	44/1118	41/1042	37/940	17/8
	PWST8440	PST8440	PTY8440	480					
	PWST9242	PST9242	PTY9242	9000	240	48/1220	45/1143	41/1042	19/9
Thermo protection not available. Use separate Level Switch such as SEESA™, See Liquid Level Control Products Page	PWST9442	PST9442	PTY9442	480					
	PWST12256	PST12256	PTY12256	12000	240	61/1550	58/1474	55/1397	25/11
	PWST12456	PST12456	PTY12456	480					